

FEDERAL SUPPLY CLASS

RATIONALE

AS5131 HAS BEEN REAFFIRMED TO COMPLY WITH THE SAE FIVE-YEAR REVIEW POLICY.

AS5131

SAE Technical Standards Board Rules provide that: "This report is published by SAE to advance the state of technical and engineering sciences. The use of this report is entirely voluntary, and its applicability and suitability for any particular use, including any patent infringement arising therefrom, is the sole responsibility of the user." SAE reviews each technical report at least every five years at which time it may be revised, reaffirmed, stabilized, or cancelled. SAE invites your written comments and suggestions.

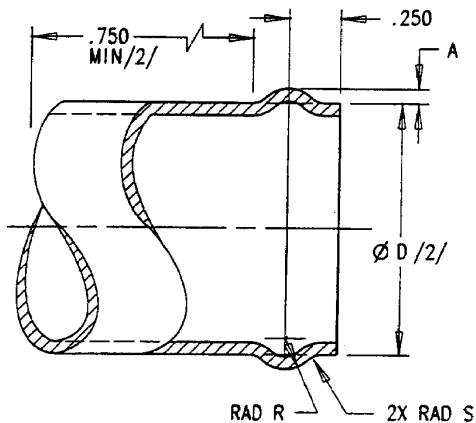


FIGURE 1 - TUBING END - STYLE A

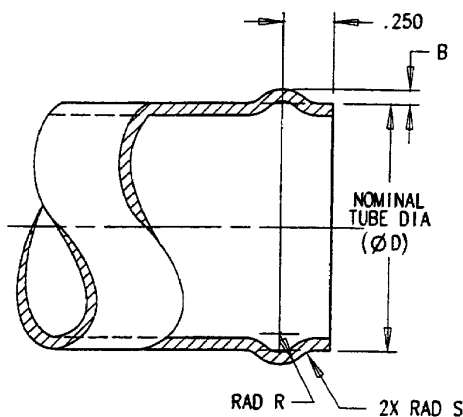


FIGURE 2 - TUBING END - STYLE B

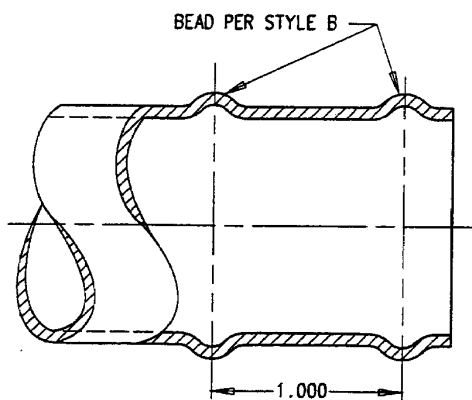
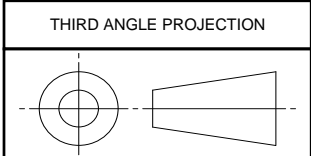



FIGURE 3 - TUBING END - STYLE C

SAE values your input. To provide feedback on this Technical Report, please visit <http://www.sae.org/technical/standards/AS5131>



CUSTODIAN: G-3		PROCUREMENT SPECIFICATION: NONE /1/	
	AEROSPACE STANDARD		AS5131 SHEET 1 OF 3
	TUBE END - BEADED, DESIGN STANDARD		

ISSUED 1997-01 REAFFIRMED 2015-04

TABLE 1 - DIMENSIONS

BASIC NO. AS5131 SIZE CODE /8/ /9/	D /2/ (NOMINAL TUBE SIZE)	D /2/ TOLERANCES FOR STYLE A END	A ±.003	B	R	S
04	.250	+ .003/- .010	.031	.023 - .033	.031 - .125	.010 - .062
05	.313	+ .003/- .010	.033	.023 - .033	.031 - .125	.010 - .062
06	.375	+ .003/- .010	.035	.025 - .035	.031 - .125	.010 - .062
08	.500	+ .003/- .010	.038	.028 - .038	.031 - .125	.010 - .062
10	.625	+ .003/- .010	.038	.028 - .038	.031 - .125	.010 - .062
12	.750	+ .004/- .010	.038	.030 - .040	.031 - .125	.010 - .062
16	1.000	+ .005/- .010	.062	.047 - .059	.062 - .156	.015 - .093
20	1.250	+ .005/- .010	.062	.047 - .059	.062 - .156	.015 - .093
24	1.500	+ .005/- .010	.072	.056 - .068	.062 - .156	.015 - .093
28	1.750	+ .005/- .010	.072	.056 - .068	.062 - .156	.015 - .093
32	2.000	+ .005/- .010	.082	.065 - .081	.062 - .156	.015 - .093
36	2.250	+ .006/- .010	.082	.065 - .081	.062 - .156	.015 - .093
40	2.500	+ .006/- .010	.082	.065 - .081	.062 - .156	.015 - .093
44	2.750	+ .006/- .010	.082	.065 - .081	.062 - .156	.015 - .093
48	3.000	+ .006/- .010	.082	.065 - .081	.062 - .156	.015 - .093
52	3.250	+ .006/- .010	.088	.067 - .087	.062 - .156	.015 - .093
56	3.500	+ .008/- .010	.088	.067 - .087	.062 - .156	.015 - .093
60	3.750	+ .008/- .010	.088	.067 - .087	.062 - .156	.015 - .093
64	4.000	+ .008/- .010	.088	.067 - .087	.062 - .156	.015 - .093
68	4.250	+ .008/- .010	.088	.067 - .087	.062 - .156	.015 - .093
72	4.500	+ .008/- .010	.088	.067 - .087	.062 - .156	.015 - .093
76	4.750	+ .008/- .010	.088	.067 - .087	.062 - .156	.015 - .093
80	5.000	+ .008/- .010	.088	.067 - .087	.062 - .156	.015 - .093
84	5.250	+ .008/- .010	.088	.067 - .087	.062 - .156	.015 - .093
88	5.500	±.010	.088	.067 - .087	.062 - .156	.015 - .093
92	5.750	±.010	.088	.067 - .087	.062 - .156	.015 - .093
96	6.000	±.010	.088	.067 - .087	.062 - .156	.015 - .093

NOTES:

- 1/1 TUBE ENDS PER STYLE A ARE INTENDED FOR USE WITH MIL-C-25014 AND MIL-C-85061 TYPE FLEXIBLE COUPLINGS. TUBE ENDS PER STYLE B ARE INTENDED FOR USE WITH HOSE AND HOSE CLAMP APPLICATIONS. TUBE ENDS PER STYLE C ARE INTENDED FOR USE WITH HOSE AND HOSE CLAMP APPLICATIONS WHERE EXTRA TUBE RIGIDITY IS REQUIRED.
- 1/2 TUBE OD FOR STYLE A END, AFTER BEADING, SHALL BE CONTROLLED FOR SPECIFIED DISTANCE WITHIN SPECIFIED TOLERANCES.
3. INTERPRETATION OF DRAWING PER ARP4296.
4. SURFACE TEXTURE: SYMBOLS PER ANSI Y14.36; REQUIREMENTS PER ANSI/ASME B46.1. UNLESS OTHERWISE SPECIFIED, SURFACES TO BE 125 µin Ra.
5. REMOVE BURRS AND SHARP EDGES.
6. DIMENSIONING AND TOLERANCING: ASME Y14.5M-1994
7. DIMENSIONS IN INCHES. UNLESS OTHERWISE SPECIFIED, TOLERANCES: LINEAR DIMENSIONS ±.030.
- 1/8/ TUBE DIAMETERS IN EXCESS OF 6 in SHALL BE CODED BY SUFFIXING THE NOMINAL TUBE OD IN SIXTEENTHS OF AN INCH TO THE BASIC DESIGN STANDARD NUMBER. DIMENSIONS FOR THESE SIZES SHALL BE THE SAME AS AS5131-96. EXAMPLE OF PART NUMBER: AS5131-184 = TUBE BEAD FOR 11.50 OD TUBE.

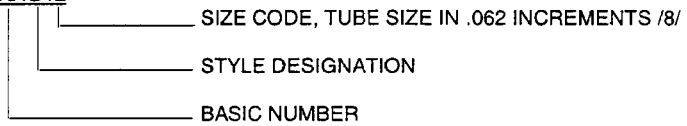
	AEROSPACE STANDARD		AS5131 SHEET 2 OF 3
	TUBE END - BEADED, DESIGN STANDARD		

NOTES (CONTINUED):

/9/ EXAMPLE OF DRAWING CALLOUT:

a. TABULATED PART DRAWING: TUBE END PER AS5131 STYLE A

b. INDIVIDUAL PART DRAWING: AS5131B12



	AEROSPACE STANDARD	AS5131 SHEET 3 OF 3	
	TUBE END - BEADED, DESIGN STANDARD		