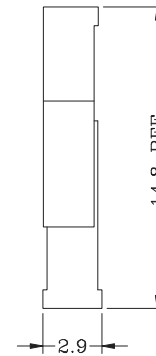


Assembly Layout/装配方案

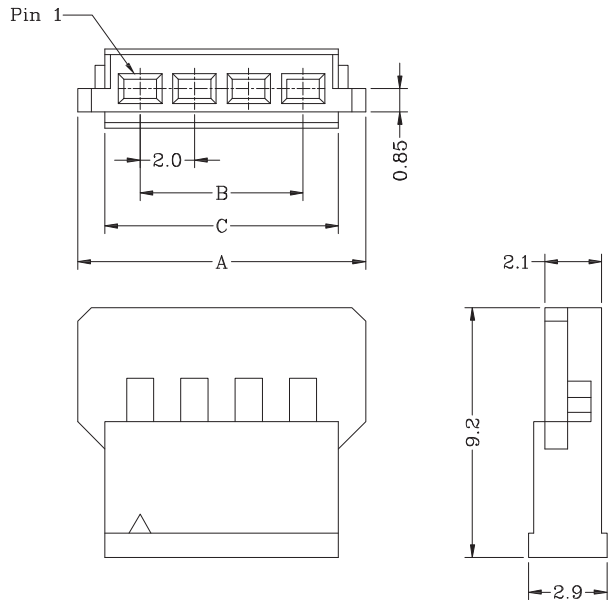


Specifications/技术参数:

Poles/位数	2~10 Poles
Pitch between poles/间距	2.00mm
Rated Voltage/额定电压	125V AC,DC
Rated Current/额定电流	2A (AWG #24)
Withstand Voltage/耐压值	500V AC/minute
Contact Resistance/接触电阻	20mΩ (MAX.)
Insulation Resistance/绝缘电阻	1000MΩ (MIN.)
Temperature Range/温度范围	-25°C ~ +85°C
Applicable Wire Range/适用线径	AWG #24~#28

Features/产品特性:

- * Single Row Terminal Socket(单排端子塑壳)
- * Material(材质): PBT UL 94V-0
- * Suitable for 2008 series terminal(适用于2008系列端子)
- * Mates with 2009 receptacle(与2009系列塑壳配合)

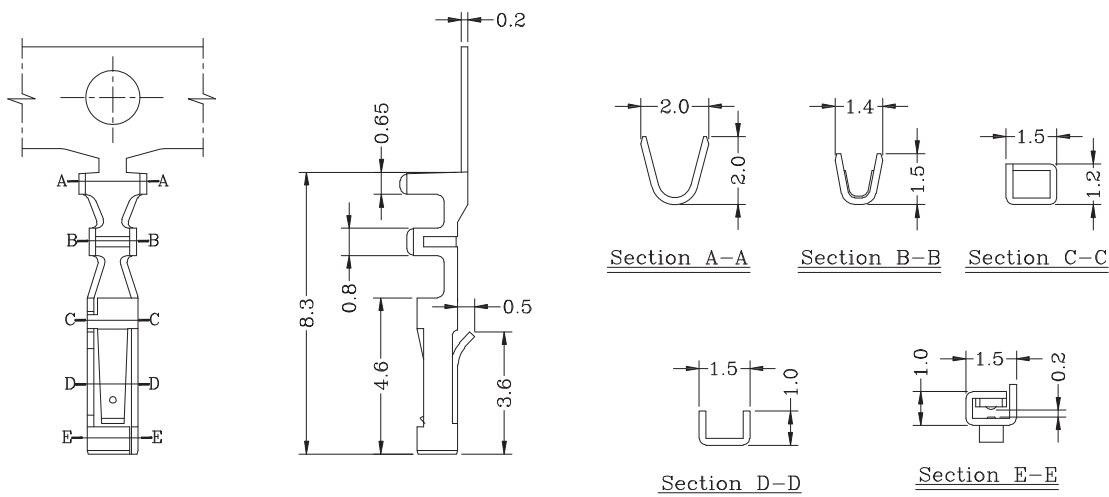


Poles 位数	Part No. 产品型号	Dimensions/尺寸		
		A	B	C
2	2008H-02P	6.6	2.0	4.6
3	2008H-03P	8.6	4.0	6.6
4	2008H-04P	10.6	6.0	8.6
5	2008H-05P	12.6	8.0	10.6
6	2008H-06P	14.6	10.0	12.6
7	2008H-07P	16.6	12.0	14.6
8	2008H-08P	18.6	14.0	16.6
9	2008H-09P	20.6	16.0	18.6
10	2008H-10P	22.6	18.0	20.6

2008 SERIES 2.00mm Pitch Crimp Terminal

Features/产品特性:

- * Used in 2008 series socket(用于2008系列塑壳)

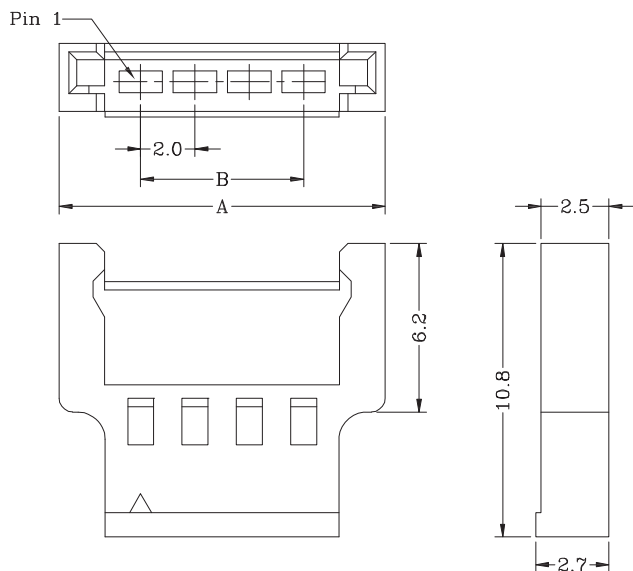


Part No./产品型号	Wire Range/线径范围	Insulation O.D/线外径	Material/材质	Finish/表面处理
2008T-P	AWG #24 ~ #28	1.4mm(max)	Phosphor bronze	Tin-plated

2009 SERIES 2.00mm Pitch Crimp Terminal Plug Socket

Features/产品特性:

- * Single Row Terminal Socket(单排端子塑壳)
- * Material(材质): PBT UL 94V-0
- * Suitable for 2009 series terminal(适用于2009系列端子)
- * Mates with 2008 receptacle(与2008系列塑壳配合)

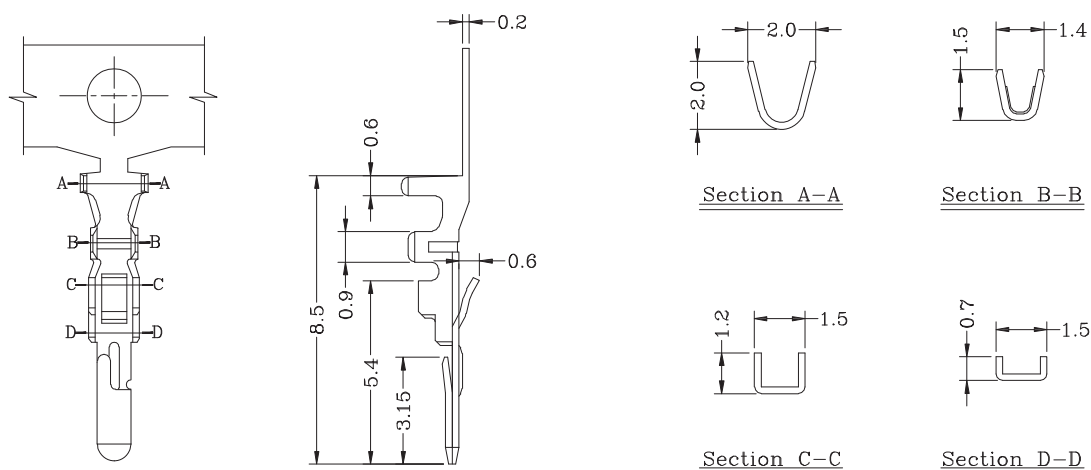


Poles 位数	Part No. 产品型号	Dimensions/ 尺寸	
		A	B
2	2009H-02P	8.0	2.0
3	2009H-03P	10.0	4.0
4	2009H-04P	12.0	6.0
5	2009H-05P	14.0	8.0
6	2009H-06P	16.0	10.0
7	2009H-07P	18.0	12.0
8	2009H-08P	20.0	14.0
9	2009H-09P	22.0	16.0
10	2009H-10P	24.0	18.0

2009 SERIES 2.00mm Pitch Crimp Terminal

Features/产品特性:

- * Used in 2009 series socket(用于2009系列塑壳)



Part No./产品型号	Wire Range/线径范围	Insulation O.D/线外径	Material/材质	Finish/表面处理
2009T-P	AWG #24 ~ #28	1.4mm(max)	Phosphor bronze	Tin-plated