



MAL 25×25



MAL 20×100

### 订购码/Ordering Code

**MAL** — **□** **20** × **50** — **25** **S** — **LB**

**型号**  
MAL: 复动型  
MSAL: 单动伸出型  
MALD: 双轴复动型  
MALC: 复动缓冲型  
MALJ: 双轴可调型

**Type**  
MAL: Double Action type  
MSAL: Single Extrusion Type  
MALD: Dual Double Action Type  
MALC: With Cushion Type  
MALJ: Double-shaft And Adjust Able Stroke Type

**后盖型式**  
空白: 摆尾型  
CM: 圆尾型  
U: 平尾型

**缸径**  
Cylinder Bore  
16mm~40mm

**行程**  
Stroke  
0~100mm

**可调行程**  
Adjustable Stroke Type  
0~100mm

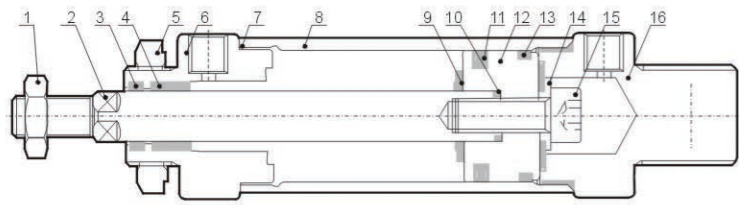
**磁石代号**  
空白: 标准型  
S: 内置磁环  
Magnet Code  
Blank: Without Magnet  
S: With Magnet

**固定型式**  
空白: 基本型  
LB: 前后固定型  
FA: 前盖固定型  
SDB: 后盖摇摆式

**Fixed Type**  
Blank: Normal type  
LB: Front and back fixed type  
FA: Front cover fixed type  
SDB: Back cover swinging type

**Back Cover Type**  
Blank: Fishtail type  
CM: Rounded type  
U: Horizontal type

### 内部结构 Internal structure



序号 NO.	名称 Designation	序号 NO.	名称 Designation
1	活塞杆螺母/Piston Rod Nut	2	活塞杆/Piston Rod
3	前盖密封圈/Front Cover Seal Ring	4	含油轴承/Oiled Bearing
5	前盖螺母/Front Cover Nut	6	前盖/Front Cover
7	管壁O型圈/Pipe wall O-ring	8	铝管/Aluminum tube
9	防撞垫片/Anti-crash cushion	10	活塞杆O形圈/Piston rod O-Ring
11	活塞O令/Piston O-Ring	12	活塞/Piston
13	耐磨环/Wear Ring	14	缓冲密封圈/Seal cushion
15	内六角螺栓/Hex socket screw	16	后盖/Back Over

### 规格/Specifcation

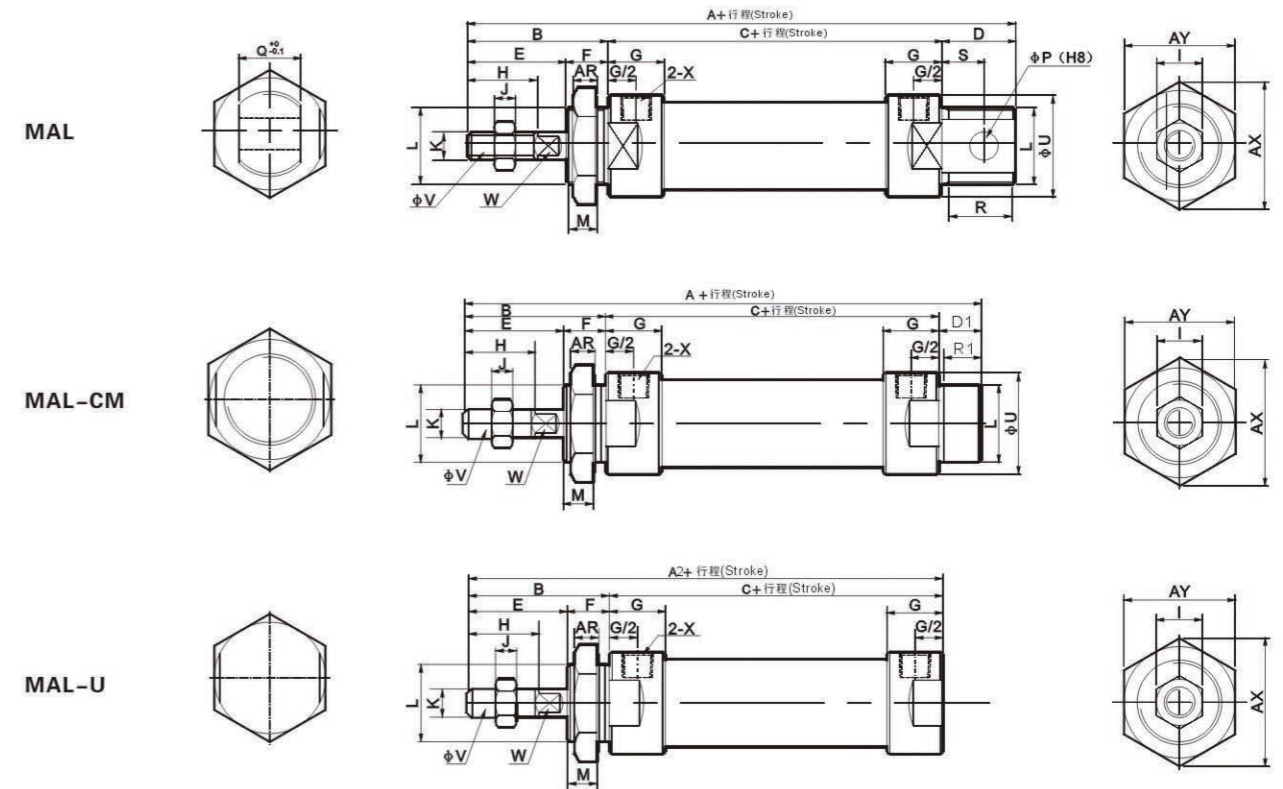
缸径/Bore(mm)	16	20	25	32	40
动作形式/Motion pattern	复动型或单动式/Double Action or Single Action				
工作介质/Working Medium	空气/Air				
固定型式/Fixed Type	基本型/Normal Type LB型/Type FA型/Type SDB型/Type				
使用压力范围 /Operating Voltage Range	0.1~0.9MPa				
保证耐压力/Ensured Pressure Resistance	1.35MPa				
使用温度范围 /Operating Temperature Range	-5~70℃				
使用速度范围 /Operating Speed Range	30~800mm/s				
缓冲型式/ Buffer Type	标准型/Standard Type 防撞垫片/Anti-crash cushion				
	缓冲型/Damping Type 可调式缓冲/Adjustable cushion				
接管口径/Port Size	M5×0.8	G1/8"			G1/4"

■ 我公司还可提供端盖上进出气孔为平的产品，如果你需要此类产品，请特别说明。  
Our Company can also make flat for cylinder covers inlet and outlet position. If you require this, it should be specified.

### 行程 Stroke

缸径/Bore(mm)	标准行程/Standard Stroke	最大行程/Max.Stroke	容许行程/Permissible Stroke
16	25,50,75, 80,100,125,160,175,200	300	500
20	25,50,75,80,100,125,160,175,200, 250,300	500	650
25	25,50,75,80,100,125,160,175,200,250,300,350,400,450,500	500	650
32	25,50,75,80,100,125,160,175,200,250,300,350,400,450,500	500	650
40	25,50,75,80,100,125,160,175,200,250,300,350,400,450,500	500	650

### 外形尺寸/Overall Dimension



### 尺寸表/Dimension Sheet

内径/符号 Bore/Symbol	A	A1	A2	B	C	D	D1	E	F	G	H	I	J	K
16	114	114	98	38	60	16	16	22	16	10	16	10	5	M6×1
20	131	122	110	40	70	21	12	28	12	16	20	12	6	M8×1.25
25	135	128	114	44	70	21	14	30	14	16	22	17	6	M10×1.25
32	141	128	114	44	70	27	14	30	14	16	22	17	6	M10×1.25
40	165	152	138	45	92	27	14	32	14	22	24	17	7	M12×1.25

内径/符号 Bore/Symbol	L	M	P	Q	R	R1	S	U	V	W	X	AR	AX	AY
16	M16×1.5	14	6	12	14	14	9	21	6	5	M5	6	25	22
20	M22×1.5	10	8	16	19	10	12	29	8	6	G1/8"	7	33	29
25	M22×1.5	12	8	16	19	12	12	34	10	8	G1/8"	7	33	29
32	M24×2.0	12	10	16	25	12	15	39.5	12	10	G1/8"	8	37	32
40	M30×2.0	12	12	20	25	12	15	49.5	16	14	G1/4"	9	37	41