



DNC-40 x 75



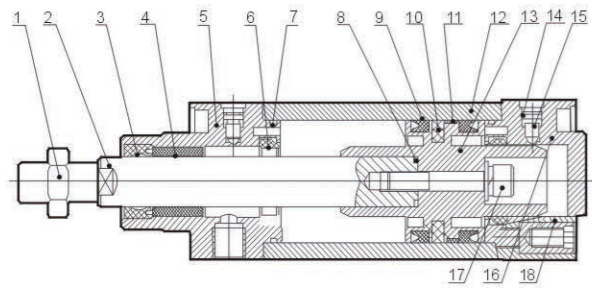
MDNC-50 x 80

订购码/Ordering Code

DNC - **63** × **50** - **25** - **S** - **LB**

<p>外形 空白:方管形 T:拉杆形 M:米字管形 Tube Type Blank:Square Type T:Tie-rod Type M:Mickey Mouse Type</p>	<p>系列代号 DNC:ISO6431标准复动型 DNCD:ISO6431标准双轴复动型 DNCJ:ISO6431双轴行程可调型 Series Code DNC:ISO6431 Standard Double Action Type DNCD:ISO6431 Standard Two Axis Double Action Type DNCJ:ISO6431 Two Axis Stroke Adjust Type</p>	<p>缸径 Cylinder Bore</p> <p>行程 Stroke</p> <p>调整行程 Adjust Stroke 25:25mm 50:50mm 75:75mm</p>	<p>磁石代号 空白:标准型 S:内置磁环 Magnet Code Blank:Without Magnet S:With Magnet</p>	<p>固定型式 空白:基本型 LB:前后固定型 FA:前盖固定型(前法兰) FB:后盖固定型(后法兰) CA:后盖固定型(单耳环) CB:后盖固定型(双耳环) SDB:后盖固定型(斜耳环)</p>	<p>Fixed Type Blank:Normal type LB:front and back fixed type FA:front cover fixed type (Front flange type) FB:back cover fixed type (Back flange type) CA:back cover fixed type (Single Earring) CB:back cover fixed type (Double Earring) SDB:back cover fixed type</p>
----------------------------------------------------------------------------------------------------------------------------------------	---------------------------------------------------------------------------------------------------------------------------------------------------------------------------------------------------------------------------------------------------------------------------	-----------------------------------------------------------------------------------------------------------------------------------------	------------------------------------------------------------------------------------------------------------	---------------------------------------------------------------------------------------------------------------------------------------	-----------------------------------------------------------------------------------------------------------------------------------------------------------------------------------------------------------------------------------------------------------------------------------------------------------------------------

内部结构 Internal structure



序号 NO.	名称 Designation	序号 NO.	名称 Designation
1	活塞杆螺母/Piston Rod Nut	2	活塞杆/Piston Rod
3	前盖防尘圈/Front Cover Seal Ring	4	含油轴承/Bearing
5	前盖/Front Cover	6	缓冲密封圈/Buffering O-Ring
7	管壁O令/O-Ring	8	活塞杆密封圈/Piston rod O-Ring
9	活塞O令/Piston O-Ring	10	磁铁(可选)/Magnet(Optional)
11	耐磨环/Wear Ring	12	缸筒/Barrel
13	活塞/Piston	14	缓冲针密封圈/Cushion Seal
15	缓冲调节针/Cushion Needle	16	后盖/Back Over
17	内六角螺栓/Hex Socket Screw	18	端盖固定螺母/Profile Bolt

规格/Specifcation

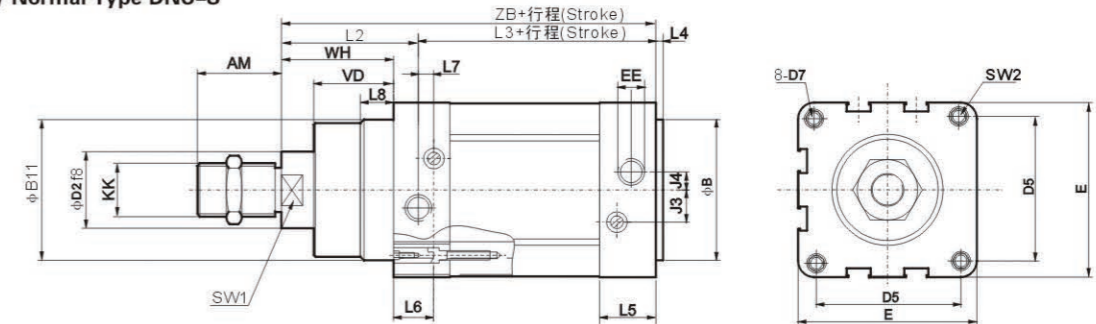
内径/Bore(mm)	32	40	50	63	80	100	125
动作型式/Motion Pattern	经过滤的空气/Filtered Air						
工作介质/Working Medium	双动/Double Action						
耐压实验压力/Compression Pressure	1.5MPa						
最高使用压力/Max.Operating Pressure	1.0MPa						
最低工作压力/Min.Operating Pressure	0.1MPa						
缓冲/Buffer	气缓冲(标准)/Air Buffer(Standard)						
环境温度/Condition Temperature	-5~70℃						
使用速度/Operating Speed	50~800mm/s						
接管口径/Port Size	G1/8"	G1/4"	G3/8"	G1/2"			

行程 Stroke

内径/Bore	标准行程 Standard Stroke	缓冲行程 Buffer Stroke	最大行程范围 Stroke Range
32	25 40 50 80 100 125 160 200 250 320 400 500	20	10~2000
40		22	
50		32	
63		35	
80			
100			
125			

外形尺寸/Overall Dimension

基本型 / Normal Type DNC-S

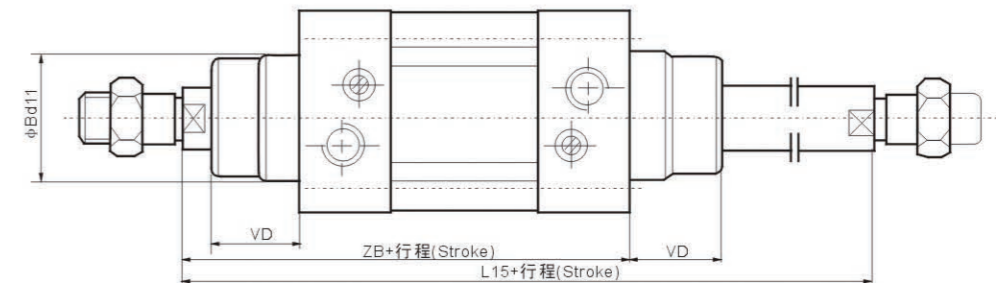


尺寸表/Dimension Sheet

内径/Bore	AM	B	D2	D5	D7	E	EE(G)	J3	J4	KK	L2	L3	L4	L5	L6	L7	L8	SW1	SW2	VD	WH	ZB
32	22	30	12	32.5	M6	45	1/8	6	5.2	M10×1.25	41.6	62.8	4	26	16	3.3	8	10	6	16	26	120
40	24	35	16	38	M6	54	1/4	8	6	M12×1.25	44	77	4	29.5	16	3.6	10	13	6	20	30	135
50	32	40	20	46.5	M8	64	1/4	10	8.5	M16×1.5	51	78	4	30	17	5.1	10	17	8	27	37	144
63	32	45	20	56.5	M8	75	3/8	12.4	10	M16×1.5	54	87	4	35.5	17	6.6	10	17	8	27	37	157.5
80	40	45	25	72	M10	93	3/8	12.5	8	M20×1.5	62.4	95.2	4	36	17	10.5	10	22	10	34.5	46	173.5
100	40	55	25	89	M10	110	1/2	11.8	10	M20×1.5	69.8	100.4	4	39	17	8	12.5	22	10	38	51	189
125	54	60	32	110	M12	134	1/2	13	8	M27×2	83	124	6	44.7	22	14	10	28	12	46	65	225

外形尺寸/Overall Dimension

双活塞杆型/Double Piston Rod Type DNC-D-S



尺寸表/Dimension Sheet

内径/Bore	32	40	50	63	80	100
B	30	35	40	45	45	55
L15	46	165	180	195	220	240
VD	16	20	27	27	34.5	38
ZB	120	135	143	158	174	189