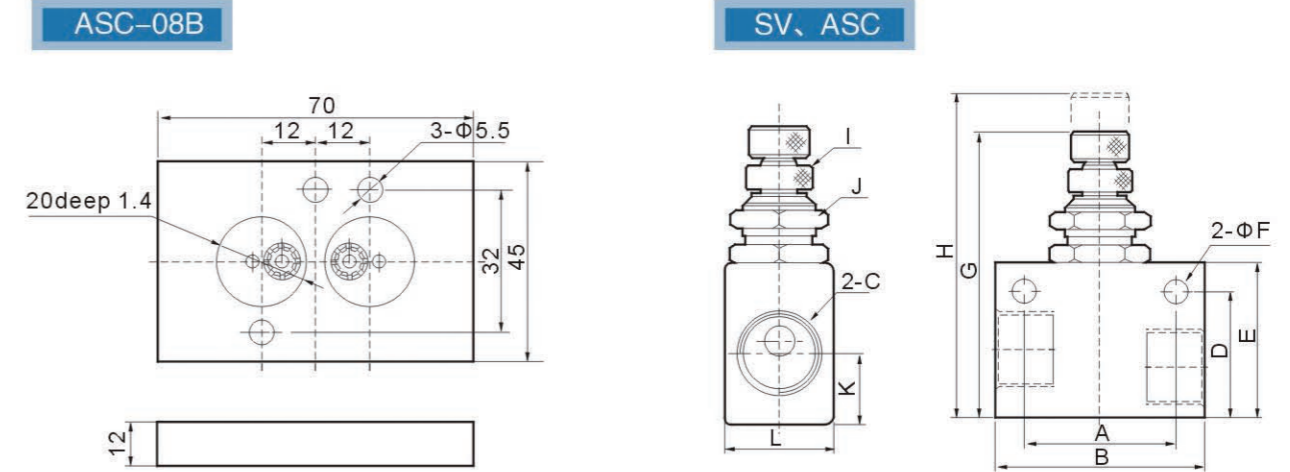




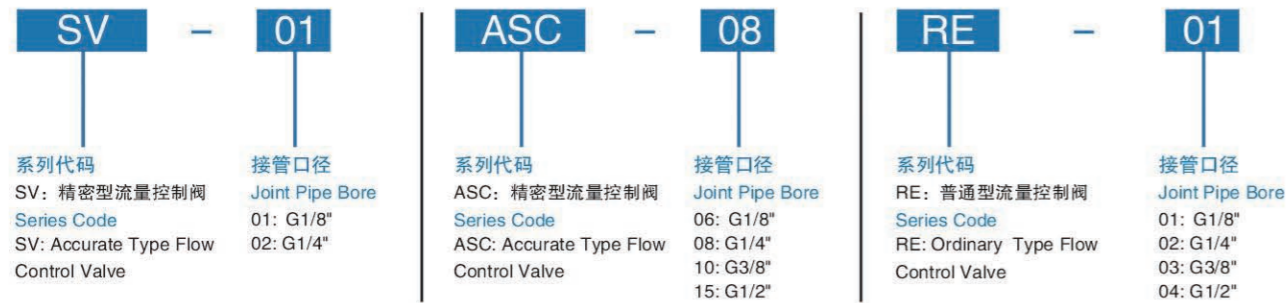
外形尺寸/Overall Dimension



尺寸表/Dimension Sheet

型号 / 符号 Model	A	B	C	D	E	F	G	H	I	J	K	L
ASC-06	22	32	G1/8	22	27	4.3	49.7	56.5	M6×0.5	M12×0.75	12	18
ASC-08	26	36	G1/4	22	27	4.3	49.7	56.5	M6×0.5	M12×0.75	12	18
ASC-10	28	40	G3/8	25	30	4.3	52.7	59.5	M6×0.5	M12×0.75	13	22
ASC-15	28	40	G1/2	30	35	4.3	58.7	65.5	M6×0.5	M12×0.75	13.5	26

订购码/Ordering Code



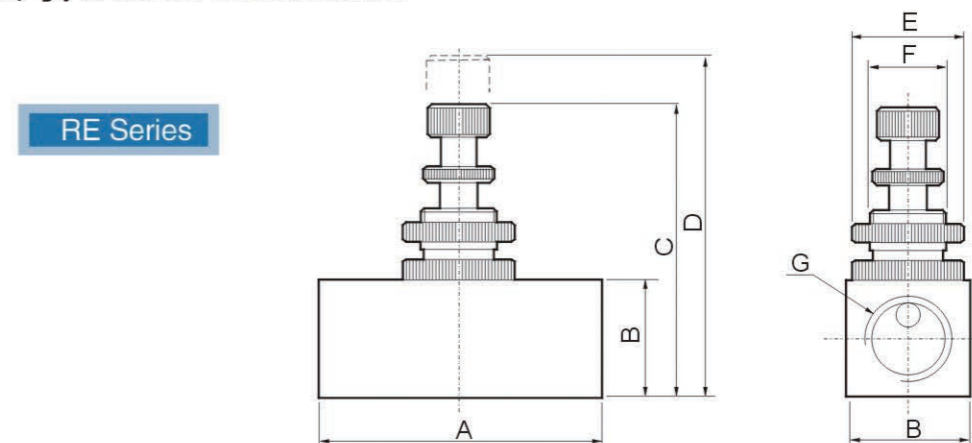
图形符号/Graphic Symbol



规格/Specifcation

型号 Model	精密型 Accurate Type						普通型 Ordinary Type			
	SV-01	SV-02	ASC-06	ASC-08	ASC-10	ASC-15	RE-01	RE-02	RE-03	RE-04
接管口径 Joint Pipe Bore	G1/8"	G1/4"	G1/8"	G1/4"	G3/8"	G1/2"	G1/8"	G1/4"	G3/8"	G1/2"
工作介质 Working Medium	空气 / Air									
使用压力范围 Working Pressure Range	0 ~ 0.95MPa									
使用温度范围 Operating Temperature Range	0 ~ 60°C									

外形尺寸/Overall Dimension



尺寸表/Dimension Sheet

型号 / 符号 Model	A	B	C	D	E	F	G
RE-01	45	19	43	50	φ19	M14×1	G1/8
RE-02	45	19	43	50	φ19	M14×1	G1/4
RE-03	55	25	55	62	φ25	M18×1	G3/8
RE-04	55	25	55	62	φ25	M18×1	G1/2