

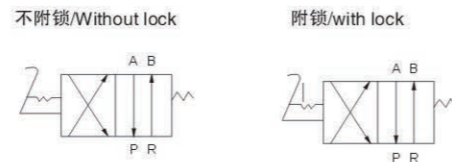


4FM210-08

订购码/Ordering Code

4FM	2	10	-	08	L
规格代码 4FM:二位四通 迷你脚踏阀 Specification Code 4FM: Two-position Four-way Mini Foot Valve	系列号 Series NO. 2: 200系列	位置数 10:单头双位置 Number of Places 10: Single-head Double-position		接口口径 Joint Pipe Bore 06: PT1/8 08: PT1/4	形式代号 空白: 标准型 L: 附锁型 Type Code Blank: standard type L: with lock

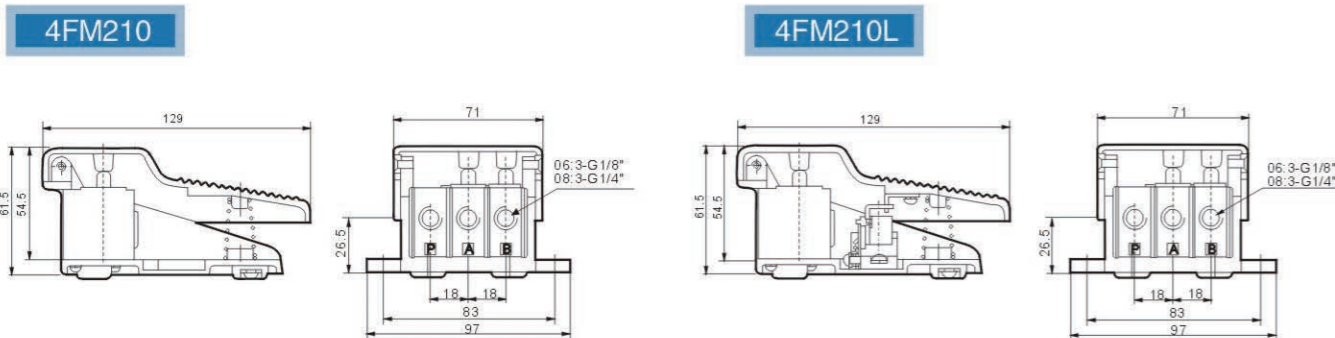
图形符号/Graphic Symbol



规格/Specifcation

型号 Model	4FM210-06	4FM210-06L	4FM210-08	4FM210-08L
工作介质 Working Medium	空气 / Air			
位通数 Position and Way Number	二位四通 Two-position Four-way			
接管口径 Joint Pipe Bore	进气=出气=PT1/8" Air Inlet=Air Outlet=PT 1/8"		进气=出气=PT1/4" Air Inlet=Air Outlet=G1/4"	
作动方式 Acting Type	直动式 / Direct Drive-Type			
使用压力范围 Working Pressure Range	0~0.8Kgf/cm ²			
使用温度范围 Operating Temperature Range	-5~60°C			
润滑Lubricate	不需要 / Not Necessary			

外形尺寸/Overall Dimension



3R210-08



3R310-10



4R210-08



4R310-10

订购码/Ordering Code

4R	2	10	-	06
规格代码 4R: 二位四通手拉阀 3R: 二位三通手拉阀 Specification Code 4R: Two-position Five-way Hand-draw Valve 3R: Two-position Three-way Hand-draw Valve	系列代号 200系列 300系列 Series Code 200 Series 300 Series	位置数 10: 单头双位置 Number of places 10: Single-head Double-position		接口口径 Joint Pipe Bore 06: G1/8" 08: G1/4" 10: G3/8"

规格/Specifcation

型号/Model	4R110-06	4R210-06	4R210-08	3R210-06	3R110-08	4R310-08	4R310-10	3R310-08	3R310-10	
工作介质 / Working Medium	经40微米过滤的空气 / 40 Micron Filtered Air									
动作方式 / Motion Pattern	直动式 / Direct Drive Type									
有效截面积 / Effective Sectional Area	10mm ² (CV=0.58)	14mm ² (CV=0.78)	16mm ² (CV=0.89)	14mm ² (CV=0.78)	16mm ² (CV=0.89)	25mm ² (CV=1.40)	30mm ² (CV=1.68)	25mm ² (CV=1.40)	30mm ² (CV=1.68)	
接口口径 / Port size	进气=出气=排气=G1/8" Inlet,Outlet,Exhaust Post=G1/8"	进气=出气=G1/4" 排气=G1/8" Inlet,Outlet=G1/4" Exhaust Post=G1/8"	进气=出气=排气=G1/4" 排气=G1/8" Inlet,Outlet,Exhaust Post=G1/8"	进气=出气=排气=G1/4" 排气=G1/8" Inlet,Outlet,Exhaust Post=G1/8"	进气=出气=排气=G1/4" 排气=G1/8" Inlet,Outlet,Exhaust Post=G1/4"	进气=出气=排气=G1/4" 排气=G3/8" Inlet,Outlet,Exhaust Post=G1/4"	进气=出气=排气=G1/4" 排气=G1/4" Inlet,Outlet,Exhaust Post=G1/4"	进气=出气=排气=G1/4" 排气=G1/4" Inlet,Outlet,Exhaust Post=G1/4"	进气=出气=排气=G3/8" Inlet,Outlet,Exhaust Post=G3/8"	进气=出气=排气=G3/8" Inlet,Outlet,Exhaust Post=G3/8"
使用压力范围 / Working-Pressure Range	0~0.8MPa									
使用温度范围 / Operating Temperature Range	0~60°C									
位通数 / Position Number	二位四通 5/2 Way		二位三通 3/2 Way		二位四通 5/2 Way		二位三通 3/2 Way			

外形尺寸/Overall Dimension

