



MOV-01



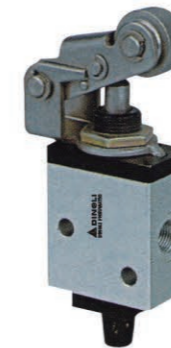
MOV-02



MOV-03



MOV-03A



DL230612



301-V



3V-1



MTV-4

订购码/Ordering Code

MOV - **02** **A**

型号 Type

按钮形式 Button Type
01:选择型旋钮
02:滚轮型
03:连锁型按钮
03A:平圆型按钮

空白:固定式
A:弹簧复位式
Blank:Standard Type
A: Spring Return Type

规格/Specification

型号 Model	MOV-01	MOV-02	MOV-03	MOV-03A
使用液体 Operating Fluid	空气 / Air			
位通数 Position and Way Number	二位三通 Two-position Three-way			
接管口径 Joint Pipe Bore	G1/8"			
使用压力范围 Working Pressure Range	0~0.8MPa			
使用温度范围 Operating Temperature Range	0~70°C			

订购码/Ordering Code

DL - **23** - **06** - **12**

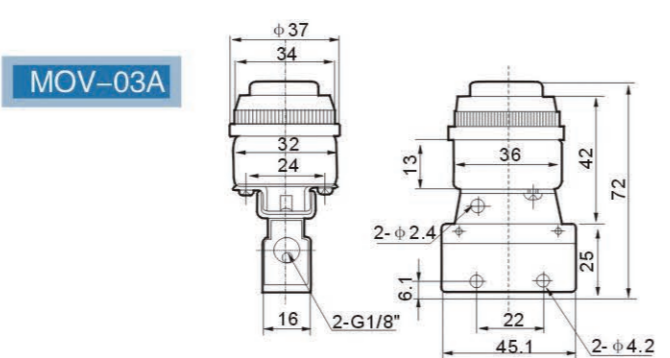
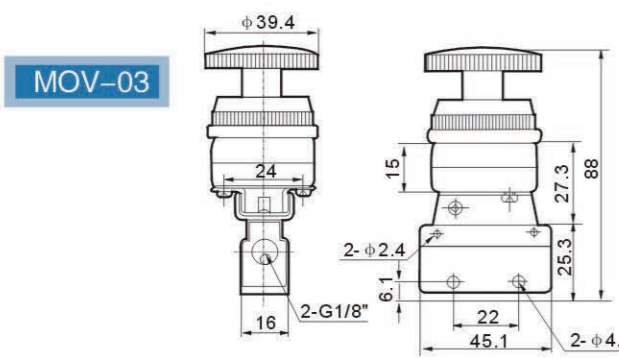
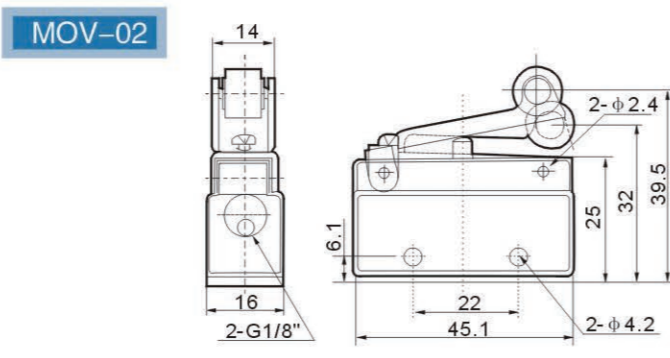
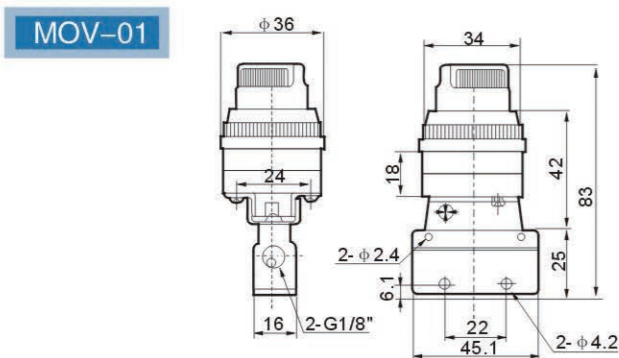
鼎力 Dingli

规格代码 Model
23:二位三通
25:二位五通
23:Two-position Three-way
25:Two-position Five-way

接管口径 Joint Pipe Bore
04: G1/8"
06: G1/4"

标准电压 Standard Voltage
DC12V
DC24V
AC24V 50Hz/60Hz
AC110V 50Hz/60Hz
AC220V 50Hz/60Hz
AC380V 50Hz/60Hz

外形尺寸/Overall Dimension



3V - **1** | **301** - **V** - **1**

规格代码 Model
3V:二位三通
4V:二位五通
3V:Two-position Three-way
4V:Two-position Five-way

接管口径 Joint Pipe Bore
M: M5
1: G1/8"

规格代码 Model
301:二位三通
401:二位五通
301:Two-position Three-way
401:Two-position Five-way

按钮形式 Button Type
V:中间开关
P:按钮式
R:滚轮式
V:Middle Switch
P:Button Type
R:Roller Type

接管口径 Joint Pipe Bore
1: G1/8"
M: M5

图形符号/Graphic Symbol

