

4V410-15

4V420-15

4V430C-15

4A410-15

订购码/Ordering Code

4V	4	10	15	B	AC220V	W
规格代码 4V:二(三)位五通电磁阀 4A:二(三)位五通气控阀 3V:二位三通电磁阀 3A:二位三通气控阀 Specification Code 4V:Two (Three)-position Five-way Solenoid Valve 4A:Two (Three)-position Five-way Pneumatic Control Valve 3V:Two-position Three-way Solenoid Valve 3A:Two-position Three-way Pneumatic Control Valve	系列代码 400系列 Series Code 400 Series	线圈及位数 10:单头双位置 20:双头双位置 30C:双头三位置封闭型 30E:双头三位置排气型 30P:双头三位置压力型 Coil and Places 10:Single-head Double-position 20:Double-head Double-position 30C:Double-head Three-position Close Type 30E:Double-head Three-position Exhaust Type 30P:Double-head Three-position Pressure Type	接管口径 Joint Pipe Bore 15:1/2"	接管形式及初始状态 空白:管接式 B:二位五通板接式 三位五通板接式 NC:二位三通常闭型 NO:二位三通常开型 Joint Pipe Form and Initial State Blank:Pipe Connection Type B:Two-position Five-way Plate Connection Type Three-position Five-way Plate Connection Type NC:Two-position Three-way Normal Close Type NO:Two-position Three-way Normal Open Type	标准电压 Standard Voltage DC12V DC24V AC24V 50Hz/60Hz AC110V 50Hz/60Hz AC220V 50Hz/60Hz AC380V 50Hz/60Hz	接线形式 空白:标准端子式 LD:茶色带灯端子式 LD1:白色带灯端子式 W:引线式 Wiring Form Blank:standard Connector LD:Brown with Lighting Connector LD1:White with Lighting Connector W: Lead Wire Type

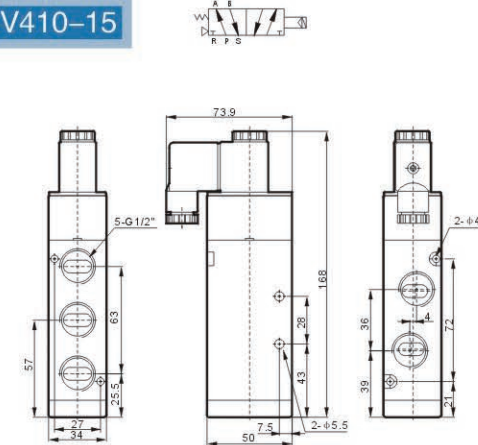
规格/Specifcation

型号 Model	4V410-15	4V420-15	4V430C-15	4V430E-15	4V430P-15
	4A410-15	4A420-15	4A430C-15	4A430E-15	4A430P-15
位通数/Position and Way NO.	二位五通/Two-position Five-way			三位五通/Three-position Five-way	
有效截面积/Effective Sectional Area	50mm ² (CV=2.79)			30mm ² (CV=1.68)	

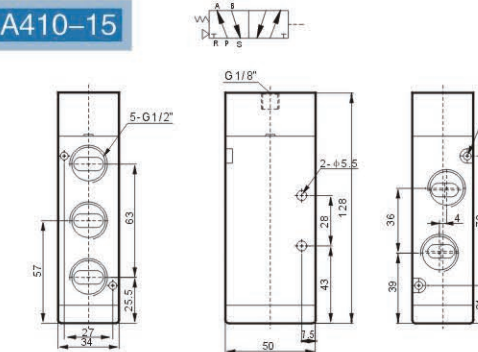
型号/Model	3V410-15	3V420-15	3A410-15	3A420-15
位通数/Position and Way NO.	二位三通/Two-position Three-way			
有效截面积/Effective Sectional Area	50mm ² (CV=2.79)			
接管口径/Port Size	进气=出气=排气=G1/2" / Air Inlet=Air Outlet=Exhaust=G1/2"			
工作介质/Working Medium	空气(经40μm滤网过滤) / Air (40Micron Filtered)			
作动方式/Acting Type	内部先导式 / Inner Guide Type			
使用压力/Working Pressure	0.15~0.8MPa			
最大耐压力/Max. Pressure Resisance	1.2MPa			
工作温度/Working Temperature	5~50°C			
电压范围/Voltage Range	±10%			
耗电量/Power Consumption	AC: 5.5VA DC: 4.8W			
绝缘性及防护等级/Insulation&Protection Class	F级. IP65 / F Class. IP 65			
接线形式/Wiring Form	出线式或端子式 / Lead wire or Connector type			
最高动作频率/Max. Frequency	每秒五次 / 5 Cycle / Sec			
最短励磁时间/Shortest Activate Time	0.05秒 / 0.05 Second			

外形尺寸/Overall Dimension

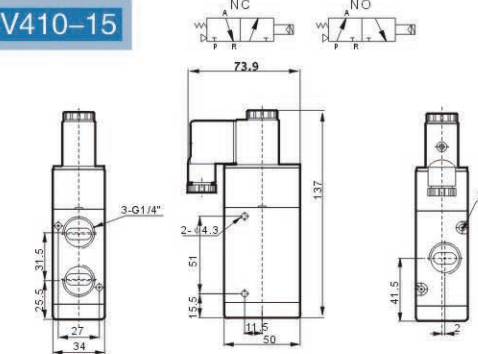
4V410-15



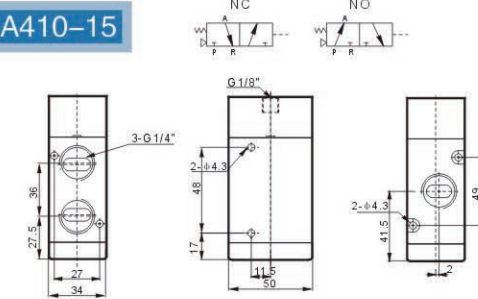
4A410-15



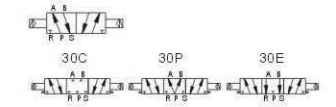
3V410-15



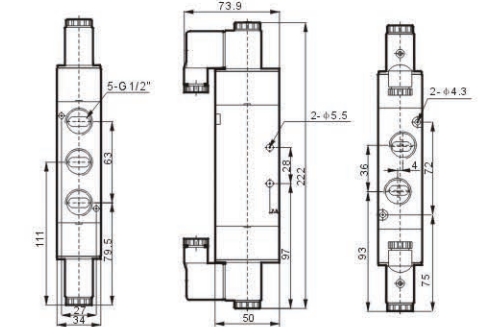
3A410-15



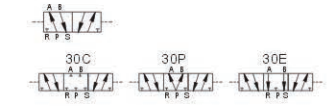
4V420-15



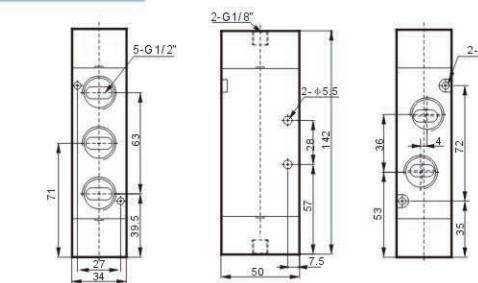
4V430-15



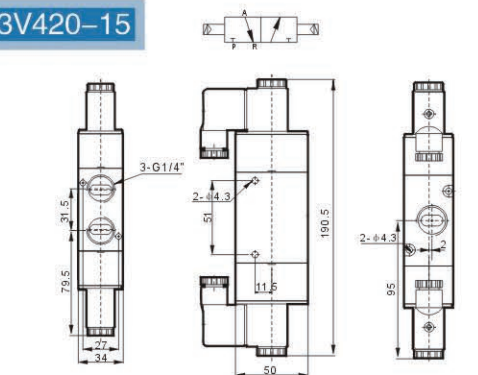
4A420-15



4A430-15



3V420-15



3A420-15

