

4V110-06

4V120-06

4A210-08

订购码/Ordering Code

4V	1	10	06	B	AC220V	W
规格代码 4V:二(三)位五通电磁阀 4A:二(三)位五通气控阀 3V:二位三通电磁阀 3A:二位三通气控阀 Specification Code 4V:Two (Three)-position Five-way Solenoid Valve 4A:Two (Three)-position Five-way Pneumatic Control Valve 3V:Two-position Three-way Solenoid Valve 3A:Two-position Three-way Pneumatic Control Valve	系列代码 100系列 Series Code 100 Series	线圈及位数 10:单头双位置 20:双头双位置 30C:双头三位置封闭型 30E:双头三位置排气型 30P:双头三位置压力型 Coil and Places 10:Single-head Double-position 20:Double-head Double-position 30C:Double-head Three-position Close Type 30E:Double-head Three-position Exhaust Type 30P:Double-head Three-position Pressure Type	接管口径 Joint Pipe Bore M5: M5x0.8 06: 1/8"	接管形式及初始状态 空白:管接式 B:二位五通板接式 三位置五通板接式 NC:二位三通常闭型 NO:二位三通常开型 Joint Pipe Form and Initial State Blank:Pipe Connection Type B:Two-position Five-way Plate Connection Type Three-position Five-way Plate Connection Type NC:Two-position Three-way Normal Close Type NO:Two-position Three-way Normal Open Type	标准电压 Standard Voltage DC12V DC24V AC24V 50Hz/60Hz AC110V 50Hz/60Hz AC220V 50Hz/60Hz AC380V 50Hz/60Hz	接线形式 空白:标准端子式 LD:茶色带灯端子式 LD1:白色带灯端子式 W:引线式 Wiring Form Blank:standard Connector LD:Brown with Lighting Connector LD1:White with Lighting Connector W: Lead Wire Type

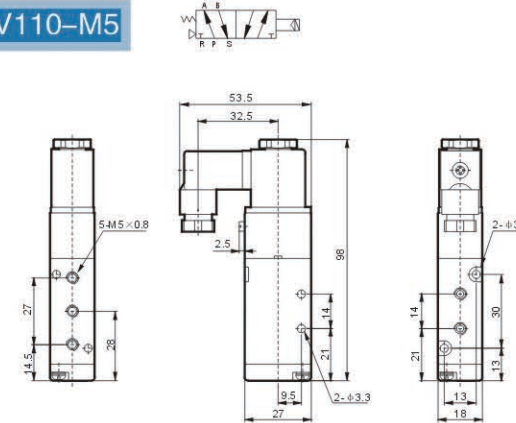
规格/Specification

型号 Model	4V110-M5	4V120-M5	4V130C-M5	4V130E-M5	4V130P-M5	4V110-06	4V120-06	4V130C-06	4V130E-06	4V130P-06	
位通数/Position and Way NO.	二位五通/Two-position Five-way			三位五通/Three-position Five-way			二位五通/Two-position Five-way			三位五通/Three-position Five-way	
有效截面积/Effective Sectional Area	10mm ² (CV=0.56)			7mm ² (CV=0.40)			12mm ² (CV=0.67)			9mm ² (CV=0.5)	

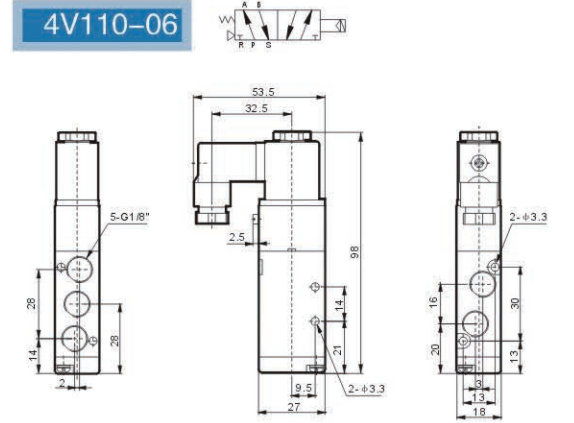
型号 Model	3V110-M5	3V120-M5	3A110-M5	3A120-M5	3V110-06	3V120-06	3A110-06	3A120-06
位通数/Position and Way NO.	二位三通/Two-position Three-way				二位三通/Two-position Three-way			
有效截面积/Effective Sectional Area	10mm ² (CV=0.56)				12mm ² (CV=0.67)			
接管口径/Port Size	进气=出气=排气=M5×0.8 / Air Inlet=Air Outlet=Exhaust=M5×0.8" 进气=出气=排气=G1/8 / Air Inlet=Air Outlet=Exhaust=G1/8							
工作介质/Working Medium	空气(经40μm滤网过滤) / Air (40Micron Filtered)							
动作方式/Acting Type	内部先导式 / Inner Guide Type							
使用压力/Working Pressure	0.15~0.8MPa							
最大耐压力/Max. Pressure Resistance	1.2MPa							
工作温度/Working Temperature	5~50°C							
电压范围/Voltage Range	±10%							
耗电量/Power Consumption	AC: 2.8VA DC: 2.8W							
绝缘性及防护等级/Insulation & Protection Class	F级. IP65 / F Class. IP 65							
接线形式/Wiring Form	出线式或端子式 / Lead wire or Connector type							
最高动作频率/Max. Frequency	每秒五次 / 5 Cycle / Secretary							
最短励磁时间/Shortest Activate Time	0.05秒 / 0.05 Second							

外形尺寸/Overall Dimension

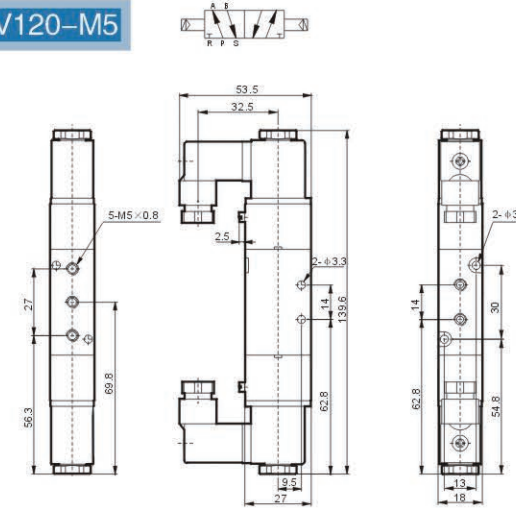
4V110-M5



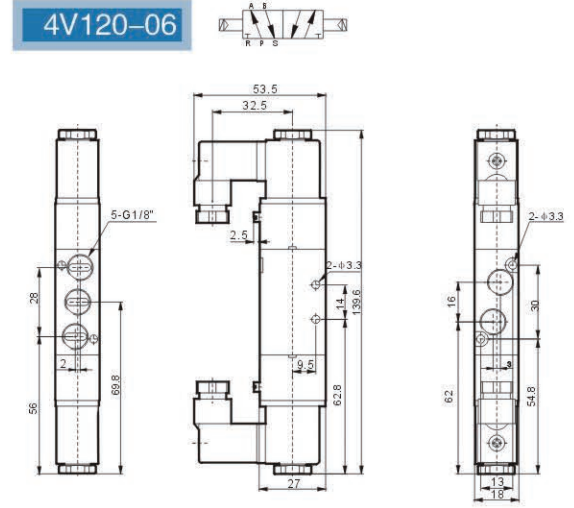
4V110-06



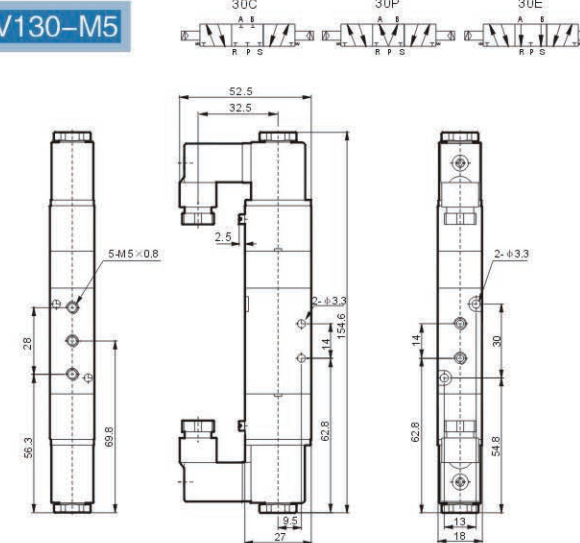
4V120-M5



4V120-06



4V130-M5



4V130-06

