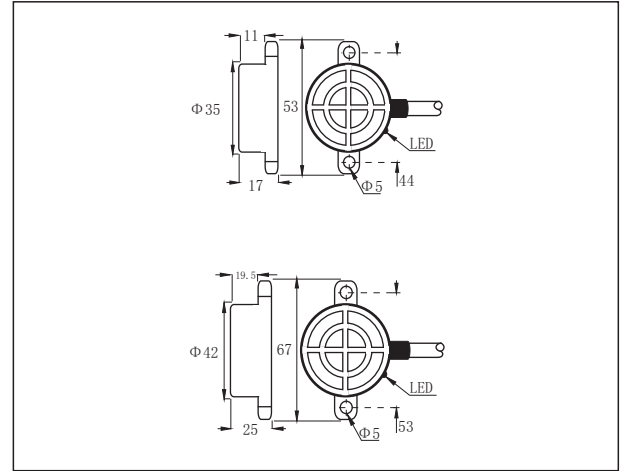
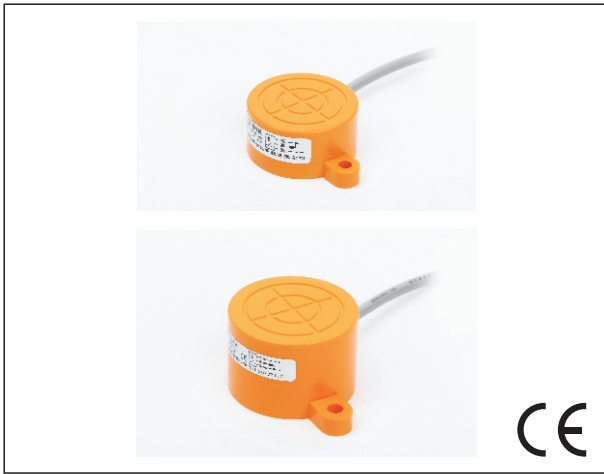


35*17*44 42*25*53矮圆形



技术参数 Technical parameter

产品外形	Boundary dimension	35*17*44	42*25*53
安装形式	Install form	非齐平 Not-Flush mounted	非齐平 Not-Flush mounted
检测距离	Detection distance	15mm	20mm
工作电压	Working voltage	DC型: 10-30V AC型: 20-250V	DC型: 10-30V AC型: 20-250V
工作电流	Working current	DC : 200mA AC:400mA	DC : 200mA AC:400mA
开关频率	Frequency(Hz)	DC型: 500 AC型: 20	DC型: 400 AC型: 20
防护等级	Protection level	IP67	IP67
环境温度	Ambient temperature	-25°C~+70°C	-25°C~+70°C
短路保护	Short circuit protection	YES	YES
极性倒接保护	Polarity protection	YES	YES
外壳材料	Shell material	ABS	ABS

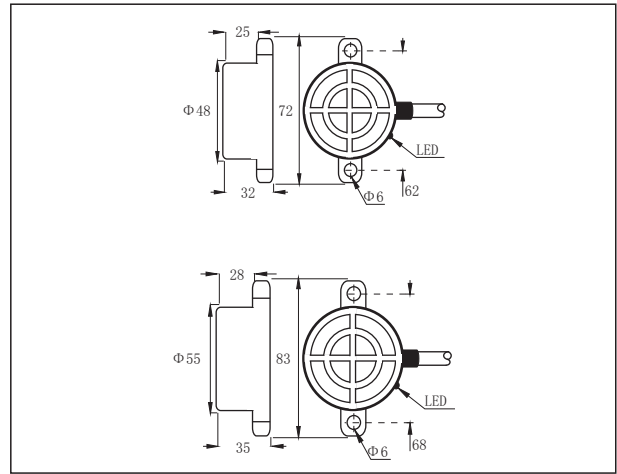
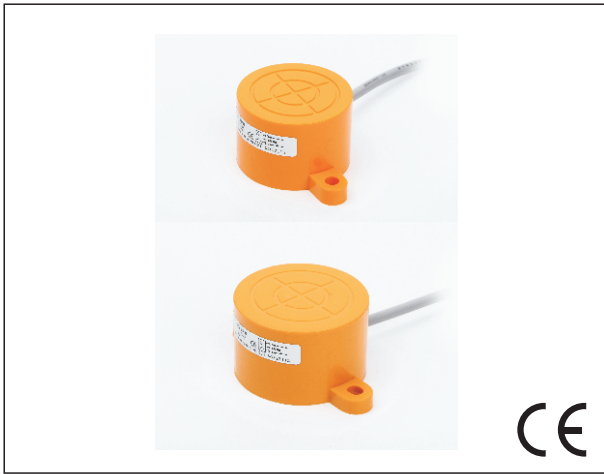
选型 Model selection

DC-2线NO	LD35-Z15K	LD42-Z20K
DC-2线NC	LD35-Z15B	LD42-Z20B
AC-2线NO	-----	LD42-J20K
AC-2线NC	-----	LD42-J20B
DC-3线NPN NO	LD35-Z15NK	LD42-Z20NK
DC-3线NPN NC	LD35-Z15NB	LD42-Z20NB
DC-3线PNP NO	LD35-Z15PK	LD42-Z20PK
DC-3线PNPNC	LD35-Z15PB	LD42-Z20PK
DC-4线NPN NO+NC	LD35-Z15NC	LD42-Z20NC
DC-3线PNP NO+NC	LD35-Z15PC	LD42-Z20PC

- 1、以上产品链接形式：2M线缆
- 2、可供非标线缆长度
- 3、接线图参阅P3页

详情请登陆：<http://www.shchuanyue.com>

48*32*62 55*35*68矮圆形



技术参数 Technical parameter

产品外形	Boundary dimension	48*32*62	55*35*68
安装形式	Install form	非齐平 Not-Flush mounted	非齐平 Not-Flush mounted
检测距离	Detection distance	20mm	25mm
工作电压	Working voltage	DC型: 10-30V AC型: 20-250V	DC型: 10-30V AC型: 20-250V
工作电流	Working current	DC : 200mA AC:400mA	DC : 200mA AC:400mA
开关频率	Frequency(Hz)	DC型: 300 AC型: 20	DC型: 200 AC型: 20
防护等级	Protection level	IP67	IP67
环境温度	Ambient temperature	-25°C~+70°C	-25°C~+70°C
短路保护	Short circuit protection	YES	YES
极性倒接保护	Polarity protection	YES	YES
外壳材料	Shell material	ABS	ABS

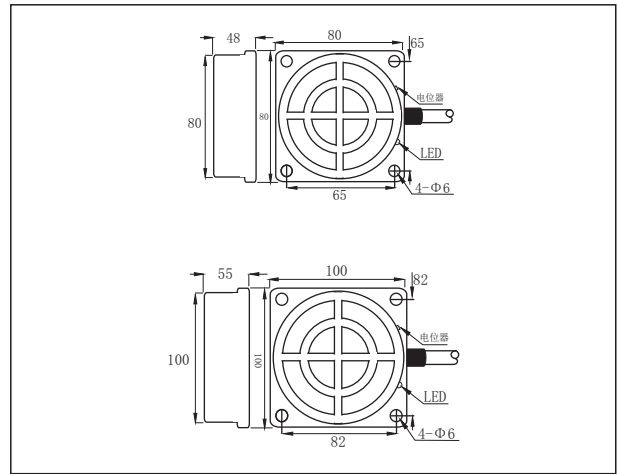
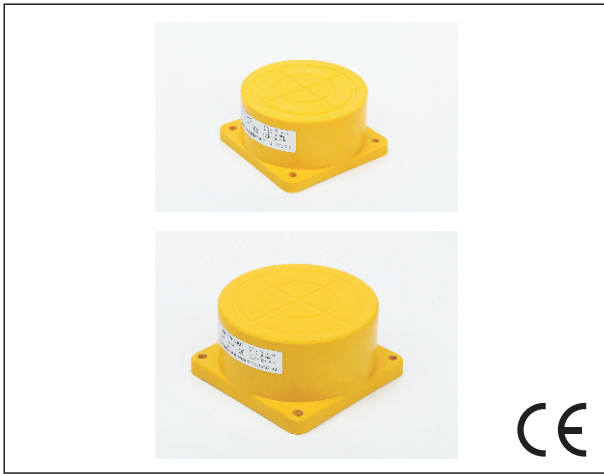
选型 Model selection

DC-2线NO	LD48-Z20K	LD55-Z25K
DC-2线NC	LD48-Z20B	LD55-Z25B
AC-2线NO	LD48-J20K	LD55-J25K
AC-2线NC	LD48-J20B	LD55-J25B
DC-3线NPN NO	LD48-Z20NK	LD55-Z25NK
DC-3线NPN NC	LD48-Z20NB	LD55-Z25NB
DC-3线PNP NO	LD48-Z20PK	LD55-Z25PK
DC-3线PNP NC	LD48-Z20PB	LD55-Z25PB
DC-4线NPN NO+NC	LD48-Z20NC	LD55-Z25NC
DC-3线PNP NO+NC	LD48-Z20PC	LD55-Z25PC

- 1、以上产品链接形式：2M线缆
- 2、可供非标线缆长度
- 3、接线图参阅P3页

详情请登陆：<http://www.shchuanyue.com>

80*80*40 100*100*50矮圆形



技术参数 Technical parameter

产品外形 Boundary dimension	80*80*40	100*100*50
安装形式 Install form	非齐平 Not-Flush mounted	非齐平 Not-Flush mounted
检测距离 Detection distance	40mm	50mm
工作电压 Working voltage	DC型: 10-30V AC型: 20-250V	DC型: 10-30V AC型: 20-250V
工作电流 Working current	DC : 200mA AC:400mA	DC : 200mA AC:400mA
开关频率 Frequency(Hz)	DC型: 80 AC型: 15	DC型: 50 AC型: 15
防护等级 Protection level	IP67	IP67
环境温度 Ambient temperature	-25°C~+70°C	-25°C~+70°C
短路保护 Short circuit protection	YES	YES
极性倒接保护 Polarity protection	YES	YES
外壳材料 Shell material	ABS	ABS

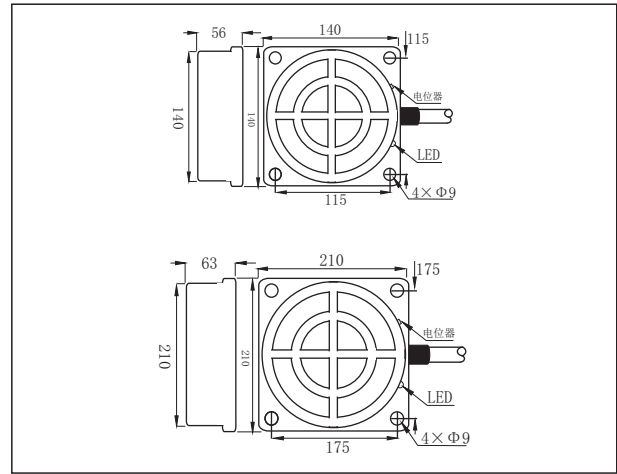
选型 Model selection

DC-2线NO	LD80-Z40K	LD100-Z50K
DC-2线NC	LD80-Z40B	LD100-Z50B
AC-2线NO	LD80-J40K	LD100-J50K
AC-2线NC	LD80-J40B	LD100-J50B
DC-3线NPN NO	LD80-Z40NK	LD100-Z50NK
DC-3线NPN NC	LD80-Z40NB	LD100-Z50NB
DC-3线PNP NO	LD80-Z40PK	LD100-Z50PK
DC-3线PNP NC	LD80-Z40PB	LD100-Z50PK
DC-4线NPN NO+NC	LD80-Z40NC	LD100-Z50NC
DC-3线PNP NO+NC	LD80-Z40PC	LD100-Z50PC

- 1、以上产品链接形式：2M线缆
- 2、可供非标电缆长度
- 3、接线图参阅P3页

详情请登陆：<http://www.shchuanyue.com>

140*140*56 210*210*63矮圆形



技术参数 Technical parameter

产品外形	Boundary dimension	140*140*56	210*210*63
安装形式	Install form	非齐平 Not-Flush mounted	非齐平 Not-Flush mounted
检测距离	Detection distance	70mm	120mm
工作电压	Working voltage	DC型: 10-30V AC型: 20-250V	DC型: 10-30V AC型: 20-250V
工作电流	Working current	DC : 200mA AC:400mA	DC : 200mA AC:400mA
开关频率	Frequency(Hz)	DC型: 40 AC型: 10	DC型: 25 AC型: 8
防护等级	Protection level	IP67	IP67
环境温度	Ambient temperature	-25°C~+70°C	-25°C~+70°C
短路保护	Short circuit protection	YES	YES
极性倒接保护	Polarity protection	YES	YES
外壳材料	Shell material	ABS	ABS

选型 Model selection

DC-2线NO	LD140-Z70K	LD210-Z120K
DC-2线NC	LD140-Z70B	LD210-Z120B
AC-2线NO	LD140-J70K	LD210-J120K
AC-2线NC	LD140-J70B	LD210-J120B
DC-3线NPN NO	LD140-Z70NK	LD210-Z120NK
DC-3线NPN NC	LD140-Z70NB	LD210-Z120NB
DC-3线PNP NO	LD140-Z70PK	LD210-Z120PK
DC-3线PNP NC	LD140-Z70PB	LD210-Z120PK
DC-4线NPN NO+NC	LD140-Z70NC	LD210-Z120NC
DC-3线PNP NO+NC	LD140-Z70PC	LD210-Z120PC

- 1、以上产品链接形式：2M线缆
- 2、可供非标线缆长度
- 3、接线图参阅P3页

详情请登陆：<http://www.shchuanyue.com>